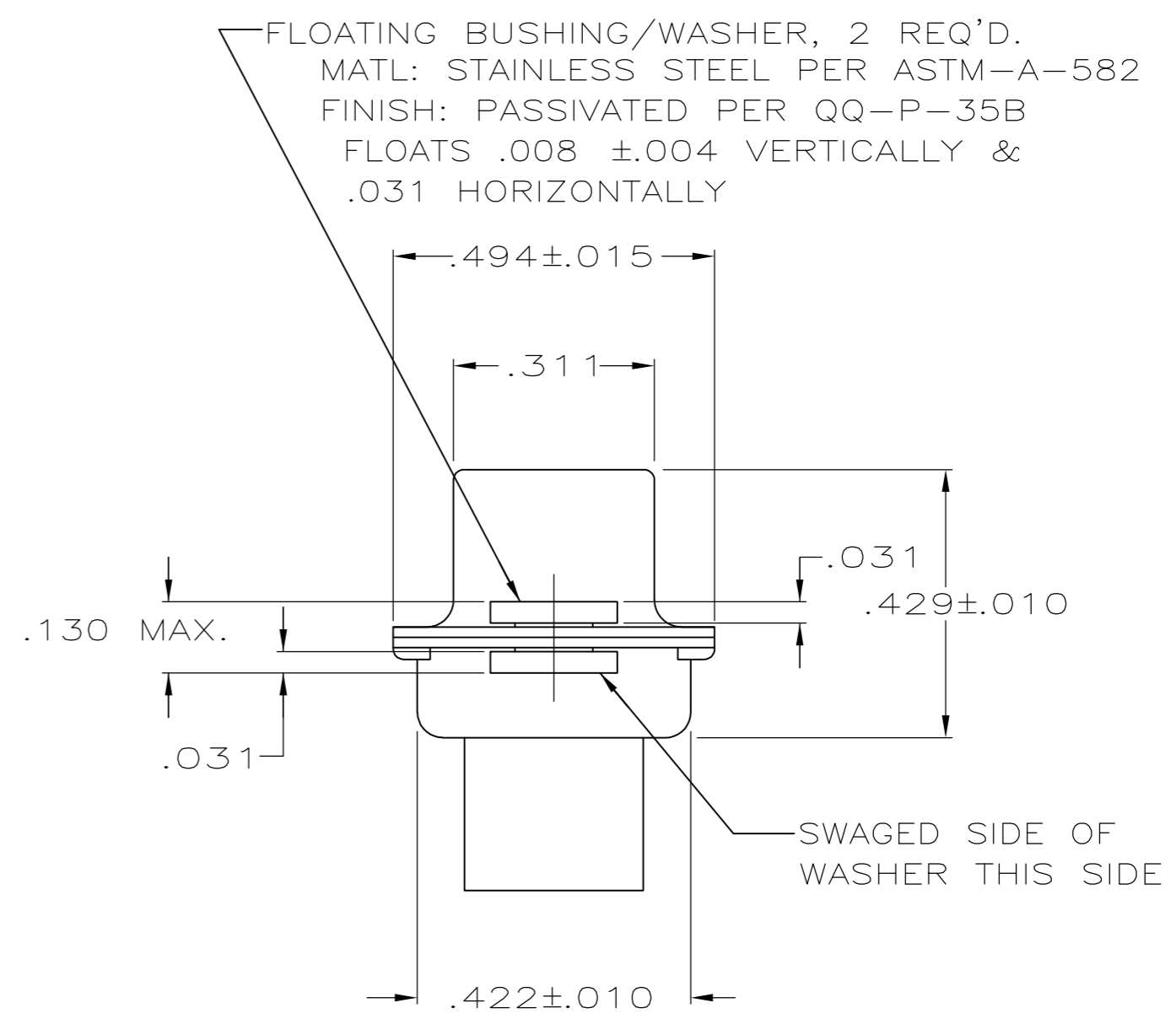
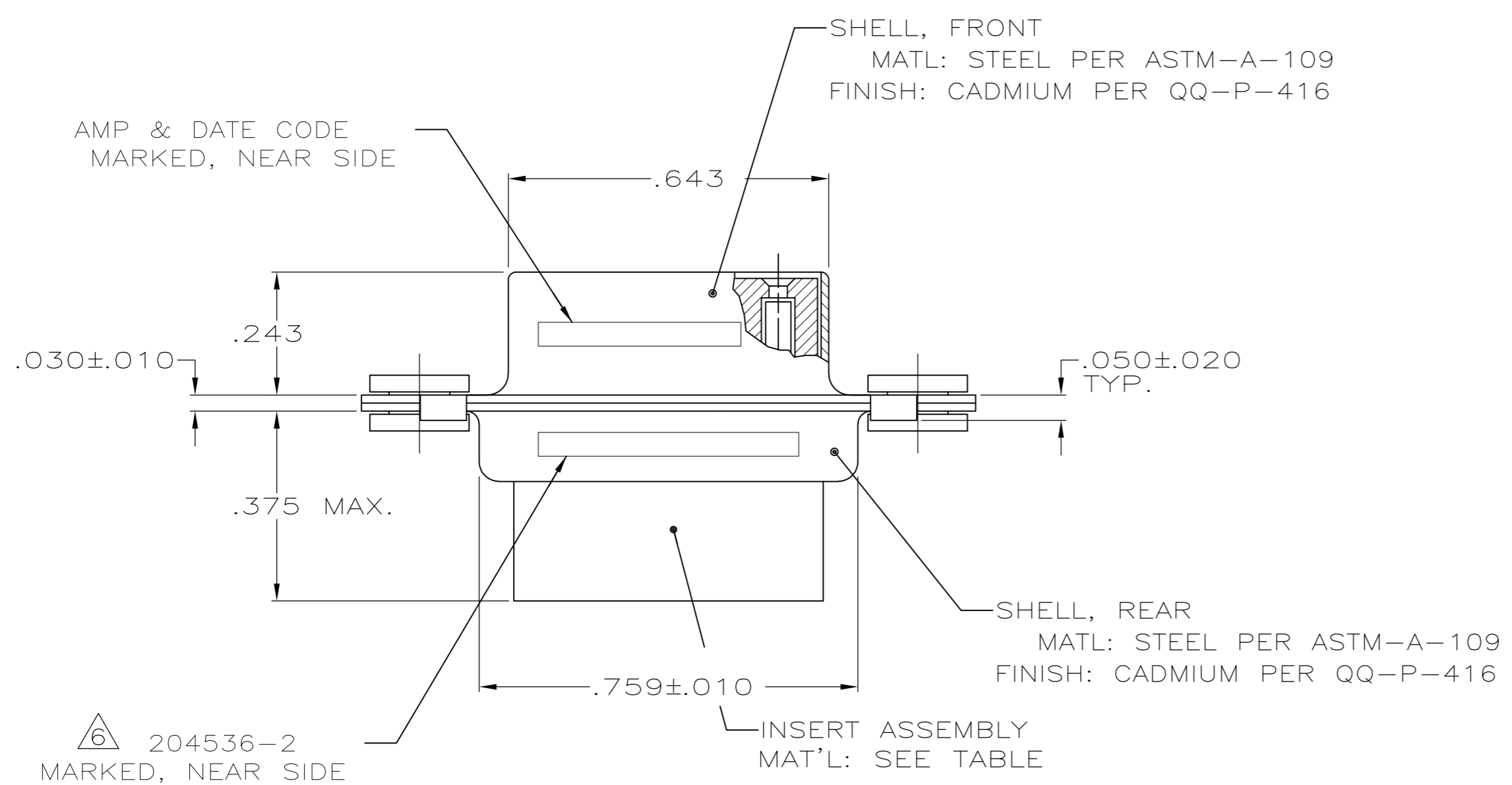
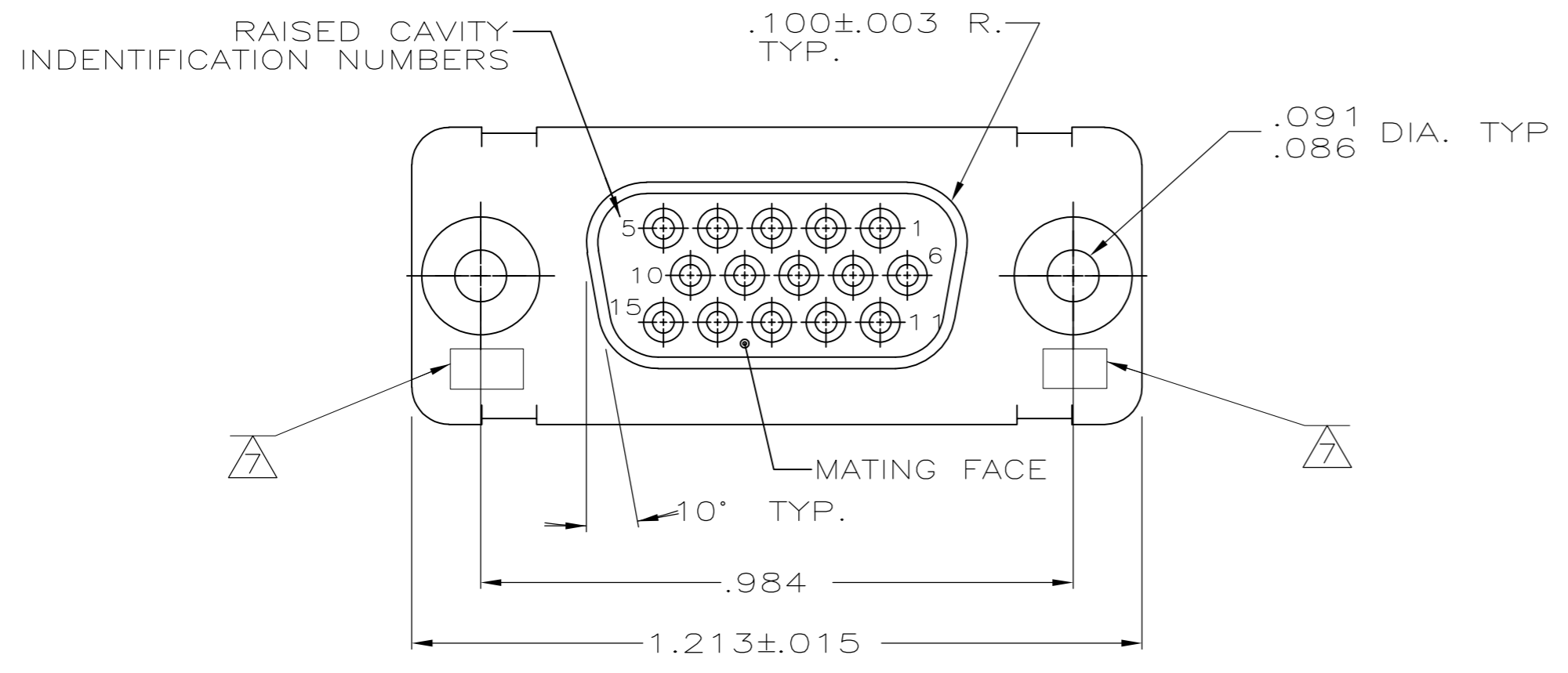


THIS DRAWING IS UNPUBLISHED. RELEASED FOR PUBLICATION  
 © COPYRIGHT - By - ALL RIGHTS RESERVED.

LOC		DIST		REVISIONS			
P	LTR	DESCRIPTION	DATE	DWN	APVD		
	R	REV PER ECO-15-016062	09NOV15	KG	CD		



- THIS RCPT. IS DESIGNED TO CONFORM TO THE LATEST ISSUE OF MIL-C-24308
  - MAX WIRE INSUL TO BE USED WITH THIS RCPT IS .054 DIA
  - METAL RETENTION CLIPS ARE INCLUDED IN INSERTS
  - PACKAGE MARKED M 24308/2-297F
  - THIS RCPT. WILL ACCEPT SIZE 22 SOCKET CONTACT M 24308/12 OR AMP # 204351
- 6 AMP PART NO. MARKED ON CONNECTOR REPRESENTS KIT NUMBER WITH CONTACTS  
 7 UL/CSA DESIGNATION MARKED IN THIS AREA.

OBSOLETE	PHENOLIC, COLOR: BLACK	204524-2
	POLYPHENYLENE SULFIDE (PPS) GST-40F PER MIL-M-24519 OR GLASS FILLED POLYESTER TPES013G30 PER ASTM D5927 COLOR, BLACK	204524-1
	INSERT MATERIAL	PART NO.

THIS DRAWING IS A CONTROLLED DOCUMENT.		DWN	C.C.THOMAS	12-3-87		TE Connectivity							
DIMENSIONS: INCHES		CHK	F.BALLEW III	1-25-88		NAME							
TOLERANCES UNLESS OTHERWISE SPECIFIED:		APVD	D.J.M.	1-25-88		PRODUCT SPEC							
0 PLC ± - 1 PLC ± - 2 PLC ± - 3 PLC ± .005 4 PLC ± - ANGLES ± 0'30"		APPLICATION SPEC		AMPLIMITE RCPT. FOR SOCKET CONTACTS HI-DENSITY D CONN, SIZE 1, SERIES 90 WITH FLOAT BUSHINGS									
MATERIAL SEE CALLOUTS		FINISH SEE CALLOUTS		WEIGHT	-	SIZE	A2	CAGE CODE	00779	DRAWING NO	C=204524	RESTRICTED TO	-
CUSTOMER DRAWING				SCALE	4:1	SHEET	1 of 1	REV	R				